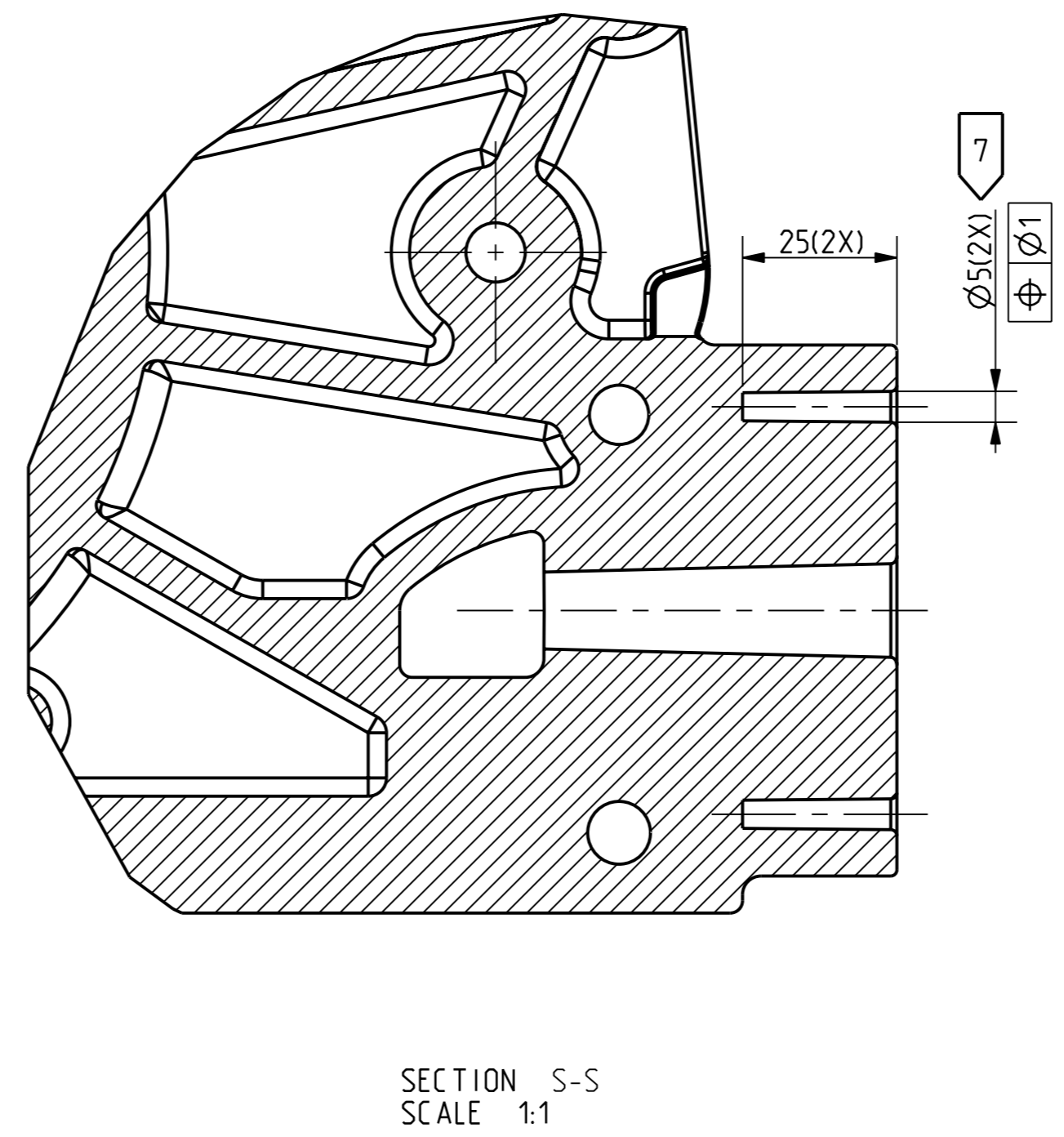
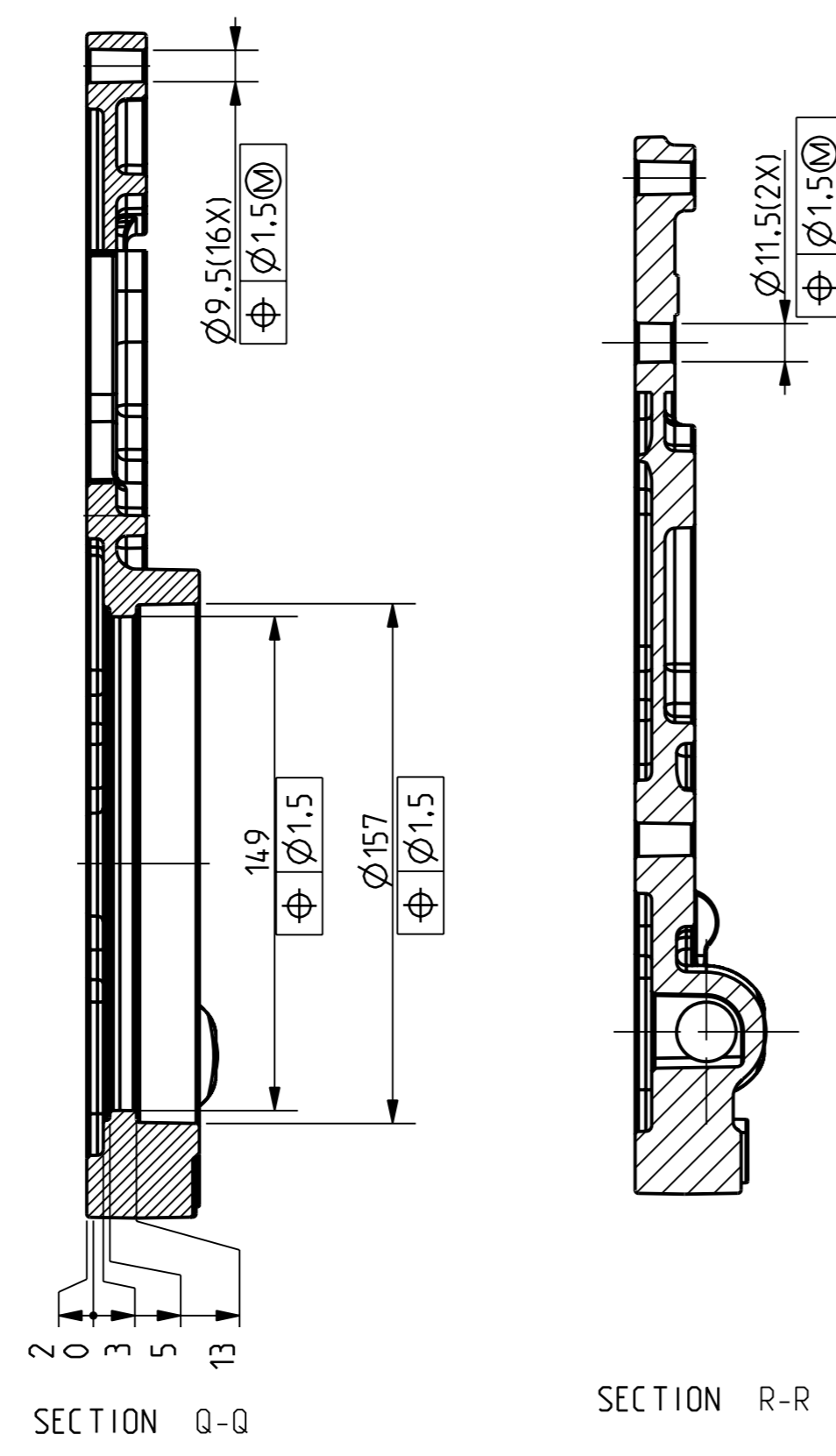
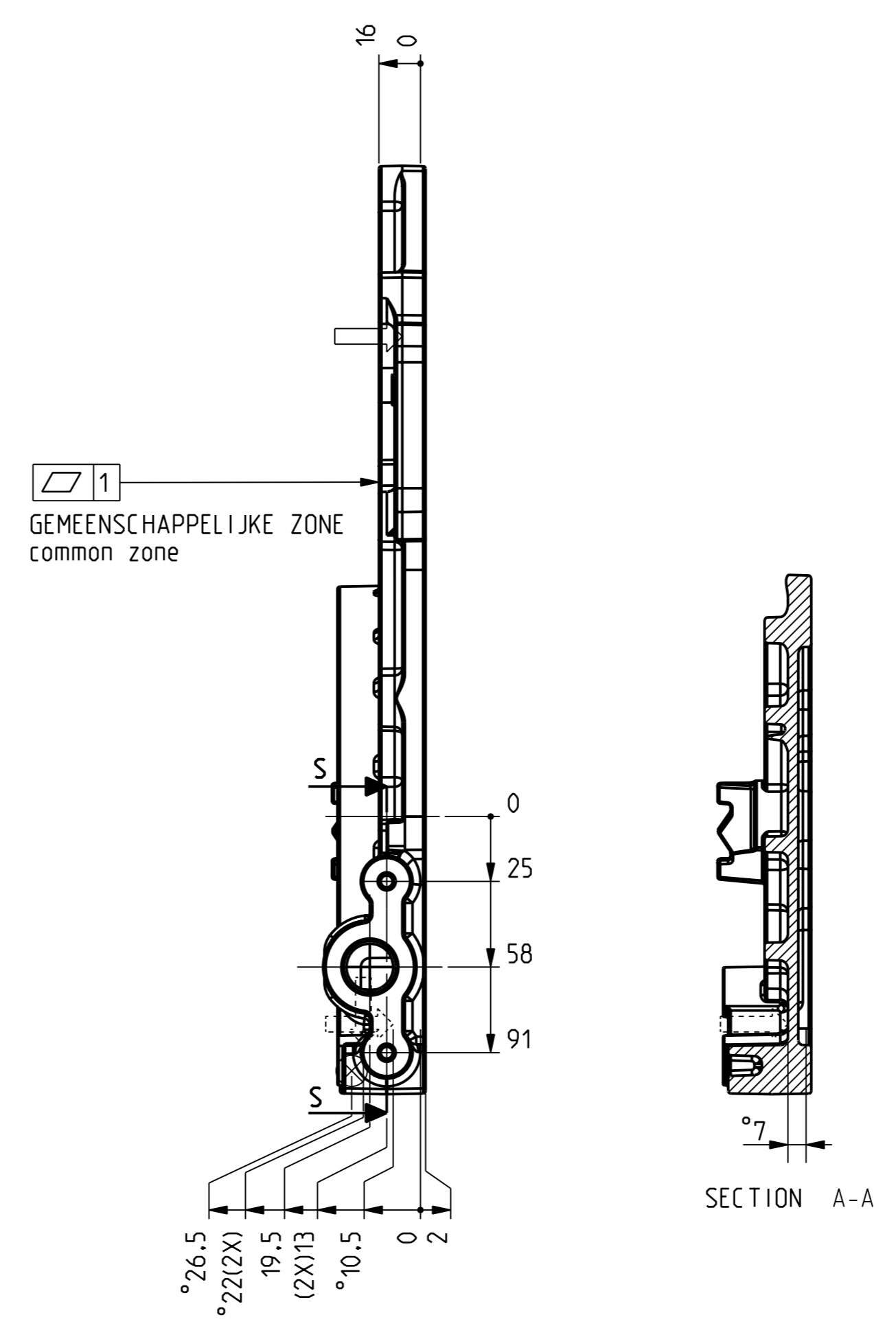
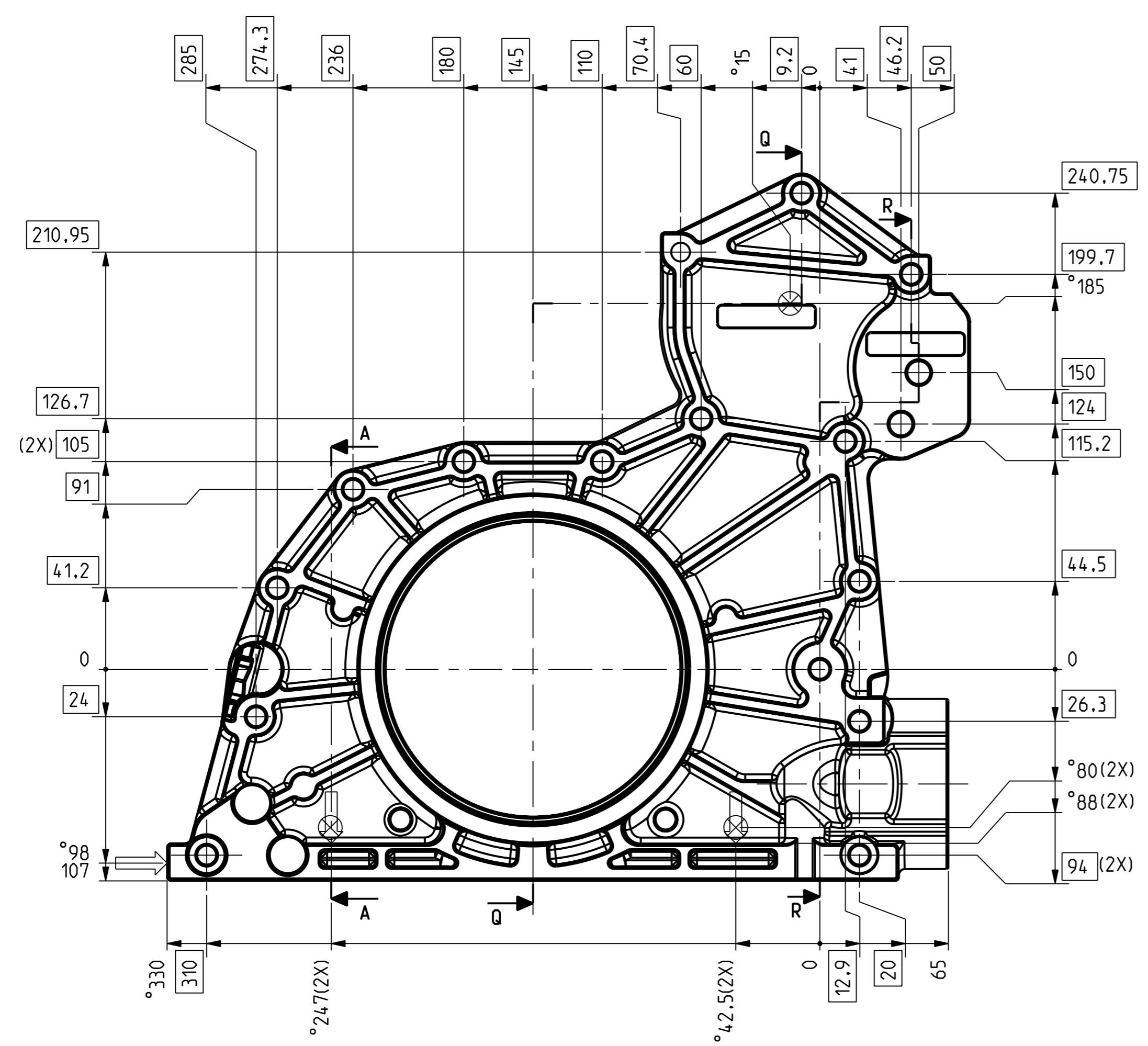


- 1 MATERIAAL 10020
ALTERNATIEF EN-AC-46100: EN-ACAlSi11Cu2(Fe) material
- 2 25/
▽
- 3 VOOR AFMETINGEN GIETWERK
ZIE CAD MODEL for casting dimensions
see cad model
- 4 BEWERKINGSTOESLAG 2mm machining allowance
- 5 OP-EN AANLEGPUNTEN GEMERKT MET ° bearing and abutting points marked
- 6 SCHERPE KANTEN BREKEN break sharp edges
- 7 VOORSPUITEN VAN DEZE M8 GATEN IS NIET NOODZAKELIJK
opportunity to supply part with M8 pre cast hole or with no pre cast holes



modification description		date		drawn by	
general tolerances ±0.5 mm, ±0.5 °		Weight 2,657 kg	title DEKSEL cover		
surfaces/corners 2		material 1		size A3	scale 1:1
drawn by J Vink	date 08-08-08	heat/surface treatment 00 / 000	sheet 1 of 1	model number	
date	point specification	third angle projection	This drawing is the property of Pro-V Engineering Sbbijndel, The Netherlands and may not be copied in whole or in part without the prior written consent of the owner.		
CAD Pro/ENGINEER		Pro-V Engineering		drawing/issue number GW-EXA1/00	
Firm.			consumer nr:		